

# REPLACEMENT PARTS LIST

**Notes : \* Important safety notice:**

- Components identified by  $\Delta$  mark have special characteristics important for safety. When replacing any of these components use only manufacturer's specified parts.
- \* The parenthesized indications in the Remarks columns specify the areas. (Refer to the cover page for area.)
- Parts without these indications can be used for all areas.

Ref. No.	Part No.	Part Name & Description	Remarks	Ref. No.	Part No.	Part Name & Description	Remarks
		INTEGRATED CIRCUIT(S)		Q1506	DTA114ESTP	TRANSISTOR	
				Q1551, 1552	2SC3312RSTA	TRANSISTOR	
						DIODE(S)	
IC101	AN6558SFE2	I. C. PHONO EQ AMP		D501, 502	MA167	DIODE	
IC201	TC9164N	I. C. INPUT SELECTOR		D504	MA4051MTA	DIODE	
IC251	M5283P	I. C. ATTENUATOR		D601, 602	MA700	DIODE	
IC252	BA4558FDXT1	I. C. BUFFER AMP		D603	MA4047MTA	DIODE	
IC301	BA4558FDXT1	I. C. PHASE SHIFT		D605-608	MA165	DIODE	
IC302	AN6554NSFE2	I. C. MIXING/SURROUND AMP		D612, 613	MA165	DIODE	
IC303	BA4558FDXT1	I. C. BUFFER AMP		D615	1SS291TA	DIODE	
IC401	BA4558FDXT1	I. C. TONE/AMP		D617, 618	MA165	DIODE	
IC402	AN6554NSFE2	I. C. L. P. F/PRE AMP		D620, 621	MA165	DIODE	
IC501	SV13102C	I. C. POWER AMP		D655-660	LN873RP-C	LED	
IC502	AN6554F	I. C. SIGNAL LEVEL DET.		D662	LN873RP-C	LED	
IC503	TC4066B	I. C. SWITCHING		D667, 668	LN873RP-C	LED	
IC504	M5218AP	I. C. BUFFER AMP		D701, 702	MA4150M	DIODE	
IC601	M50754-180SP	I. C. MICRO COMPUTER		D703	MA165	DIODE	
IC602	BA4558FDXT1	I. C. BUFFER AMP		D704, 705	MA167	DIODE	
IC603	BU2040F-T2	I. C. LED DRIVE		D706	MA4062-H	DIODE	
		TRANSISTOR(S)		D707-710 $\Delta$	P300DLF	DIODE	
				D713	MA4240H	DIODE	
Q205	2SC3311A-Q	TRANSISTOR		D1501, 1502	MA4082MTA	DIODE	
Q206	2SA1309A-R	TRANSISTOR				VARIABLE RESISTOR(S)	
Q301	2SD2144S	TRANSISTOR					
Q303	DTA114ESTP	TRANSISTOR		VR401	EWHFDAF20G15	V. R	
Q401, 402	2SD2144S	TRANSISTOR		VR601	EVQWQAF2524B	V. R	
Q403	DTA114ESTP	TRANSISTOR		VR1301, 302	EW2XAF20C15	V. R	
Q404	DTA114ESTP	TRANSISTOR				POWER TRANSFORMER	
Q405-408	2SD2144S	TRANSISTOR					
Q409	2SA1309A-R	TRANSISTOR		T1 $\Delta$	RTP1M5E007-V	POWER TRANSFORMER	(E, EG)
Q501, 502	2SD1450SITA	TRANSISTOR		T1 $\Delta$	RTP1M5B001-V	POWER TRANSFORMER	(EB, GN)
Q503	2SA1309A-R	TRANSISTOR		T1 $\Delta$	RTP1M5G001-V	POWER TRANSFORMER	(GC)
Q504	2SC3311A-Q	TRANSISTOR				COIL(S)	
Q505	2SA1309A-R	TRANSISTOR		L501, 502	SLQY07G-40	COIL	
Q601	2SC3311A-Q	TRANSISTOR		L601	ELEXT100KA9	COIL	
Q602	DTC144EKT96	TRANSISTOR		L602, 603	RLQZP101KT-Y	COIL	
Q603	2SC3311A-Q	TRANSISTOR				OSCILLATOR(S)	
Q604	DTC144EKT96	TRANSISTOR		X601	EFOGC6004T4	CERAMIC FILTER	
Q605	DTC114ESTP	TRANSISTOR					
Q701	UN4215	TRANSISTOR					
Q702	2SB621A-R	TRANSISTOR					
Q703	2SD1761DEF	TRANSISTOR					
Q704	2SB1187DEF	TRANSISTOR					
Q705	KSD471ACYGTA	TRANSISTOR					
Q1501-1504	2SA1309A-R	TRANSISTOR					
Q1505	DTC114ESTP	TRANSISTOR					

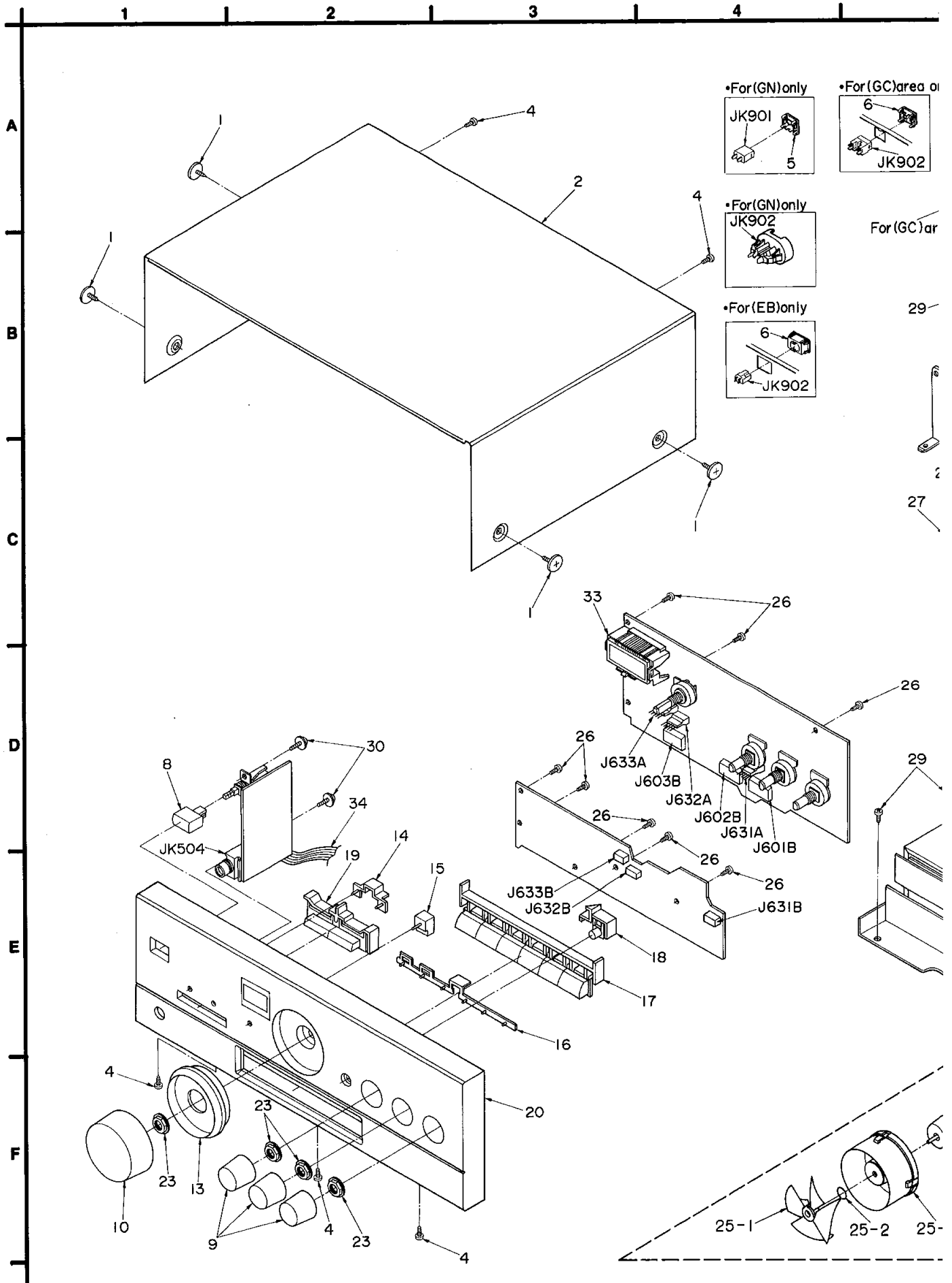
Ref. No.	Part No.	Part Name & Description	Remarks	Ref. No.	Part No.	Part Name & Description	Remarks
		DISPLAY TUBE		J603B	RJT003K008M1	CONNECTOR (8P)	
				J631B	SJS50581BB	SOCKET (5P)	
FL601	RSL0074-F	DISPLAY TUBE		J632B	SJS50581BB	SOCKET (5P)	
		FUSE (S)		J633B	SJS50581BB	SOCKET (5P)	
				J701B	RJS1A1704	SOCKET (4P)	
F1 Δ	XBA2C10TBO	FUSE				FUSE HOLDER	
F1 Δ	XBA2C20TBO	FUSE	(GC)				
F2 Δ	XBA2C10TBO	FUSE	(E, EB, EG)	FC1	SJT388	FUSE HOLDER	
		SWITCH(ES)		FC2	SJT388	FUSE HOLDER	
S501	RSS2B006-M	SW, ACTIVE CURRENT SENSOR		FC3	SJT388	FUSE HOLDER	(E)
S601	EVQ21405R	SW, SPEAKER ON/OFF		FC4	SJT388	FUSE HOLDER	(E)
S602	EVQ21405R	SW, TUNER					
S603	EVQ21405R	SW, AUX 2				JACK(S)	
S604	EVQ21405R	SW, TAPE					
S605	EVQ21405R	SW, AUX 1		JK201	SJF3068N	TERMINAL, PHONO	
S607	EVQ21405R	SW, CD		JK202	SJF3069-5N	TERMINAL, TAPE	
S610	EVQ21405R	SW, VOLUME PRESET		JK203	SJF3069N	TERMINAL, TUNER/CD	
S611	EVQ21405R	SW, SUPER BASS		JK205	SJF3069-5N	TERMINAL, AUX 1/2	
S614	EVQ21405R	SW, SURROUND		JK206	SJF3069N	TERMINAL, EXT OUT/IN	
S701 Δ	ESB8249V	SW, POWER		JK501	RJR0054M	TERMINAL, SPEAKER	
S702 Δ	ESE37263	SW, VOLTAGE SELECTOR	(GC)	JK502	SJF3068-4N	TERMINAL, SURROUND	
		JACK (S)		JK504	SJJ145A-1	TERMINAL, HEADPHONES	
J551	SJT3213	CONNECTOR		JK601	RJJ33T01	SYNCHRO, SYSTEM CONT. IN	
J201A	RJU060G07T	CONNECTOR		JK602	RJJ33T01	SYNCHRO, SYSTEM CONT. OUT	
J202A	RJU060G07T	CONNECTOR		JK603	RJJ33T01	SYNCHRO, CONTROL TO TURNTABL	
J203A	RJU060G07T	CONNECTOR		JK701	RJS1A0203-0	CONNECTOR, TAPE	
J204A	RJU060G07T	CONNECTOR		JK901 Δ	SJS9231-1B	AC INLET	(E, EB, EG, GC)
J207A	RJU060G05T	CONNECTOR		JK901 Δ	SJS9234B	AC INLET	(GN)
J208A	RJU060G05T	CONNECTOR		JK902 Δ	SJS9333B	AC OUTLET	(E, EG)
J209A	RJU060G05T	CONNECTOR		JK902 Δ	SJS9332B	AC OUTLET	(EB)
J501A	RJS1A1705	CONNECTOR (5P)		JK902 Δ	SJS9233B	AC OUTLET	(GC)
J601A	RJU03K010M1	SOCKET (10P)					
J602A	RJU03K010M1	SOCKET (10P)					
J603A	RJU03K008M1	SOCKET (8P)					
J631A	SJT30549BB1	CONNECTOR					
J632A	SJT30549BB1	CONNECTOR					
J633A	SJT30549BB1	CONNECTOR					
J701A	RJS1A1704	SOCKET (4P)					
J201B	RJT060B07	CONNECTOR					
J202B	RJT060B07	CONNECTOR					
J203B	RJT060B07	CONNECTOR					
J204B	RJT060B07	CONNECTOR					
J207B	RJT060B05	CONNECTOR					
J208B	RJT060B05	CONNECTOR					
J209B	RJT060B05	CONNECTOR					
J601B	RJT003K010M1	CONNECTOR (10P)					
J602B	RJT003K010M1	CONNECTOR (10P)					

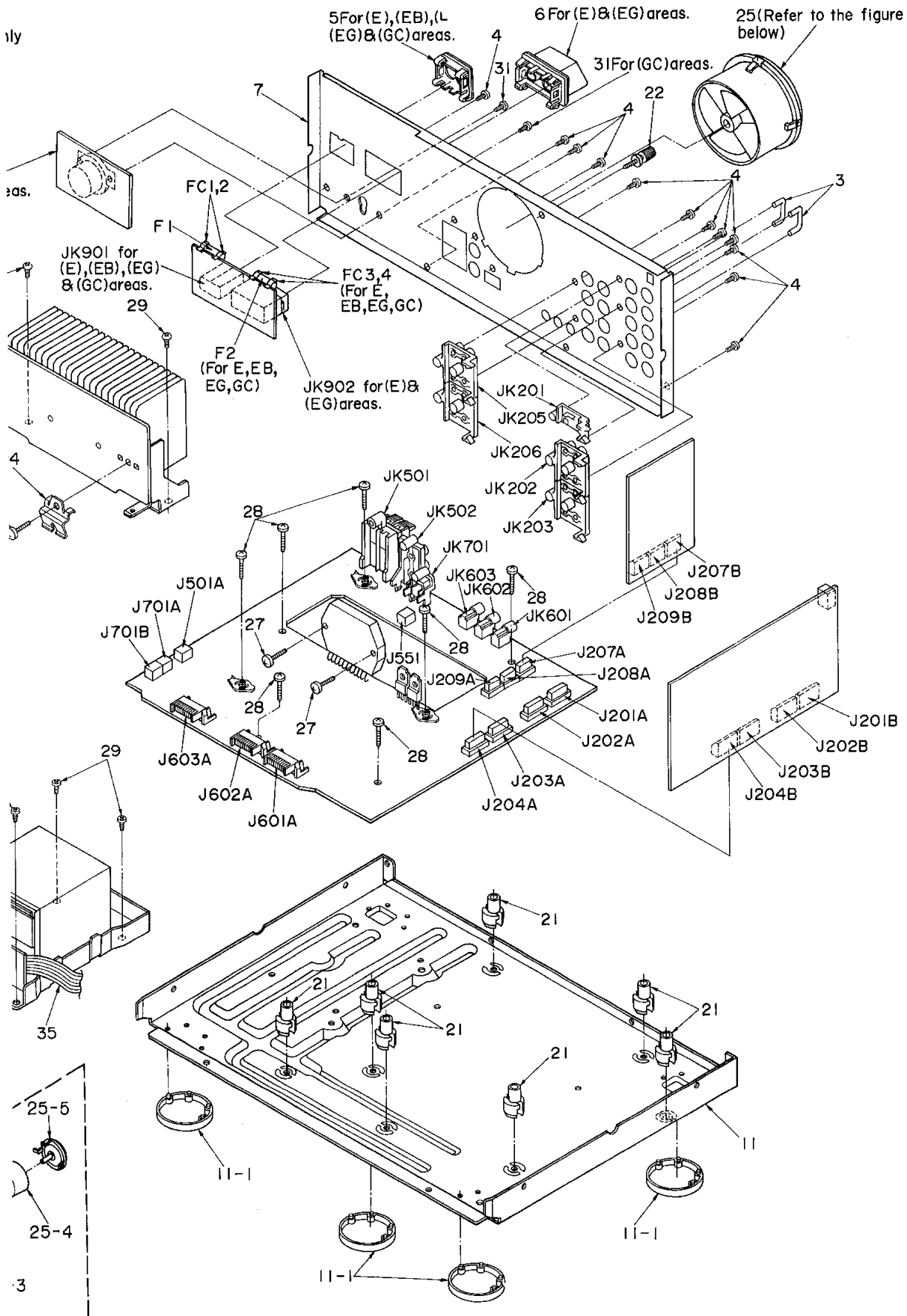
Notes : \* Capacity value are in microfarads (uF) unless specified otherwise, P=Pico-farads (pF) F=Farads (F)  
 \* Resistance values are in ohms, unless specified otherwise, 1K=1,000(OHM) , 1M=1,000k(OHM)

Ref. No.	Part No.	Values & Remarks	Ref. No.	Part No.	Values & Remarks	Ref. No.	Part No.	Values & Remarks
		RESISTORS	R413, 414	ERDS2TJ153	1/4W 15K	R550	ERDS2TJ102	1/4W 1K
			R415, 416	ERDS2TJ222	1/4W 2.2K	R551	ERDS2TJ104	1/4W 100K
			R417, 418	ERDS2TJ221	1/4W 220	R554	ERD25FJ470	1/4W 47 Δ
R107, 108	ERDS2TJ471	1/4W 470	R419, 420	ERDS2TJ273	1/4W 27K	R601	ERDS2TJ223	1/4W 22K
R109, 110	ERDS2TJ473	1/4W 47K	R421, 422	ERDS2TJ470	1/4W 47	R602-604	ERDS2TJ393	1/4W 39K
R111, 112	ERDS2TJ331	1/4W 330	R423, 424	ERDS2TJ153	1/4W 15K	R605	ERDS2TJ223	1/4W 22K
R113, 114	ERDS2TJ560T	1/4W 56	R425-428	ERDS2TJ152	1/4W 1.5K	R606-608	ERDS2TJ393	1/4W 39K
R115, 116	ERDS2TJ184T	1/4W 180K	R429, 430	ERDS2TJ333	1/4W 33K	R609-612	ERDS2TJ100	1/4W 10
R117, 118	ERDS2TJ123	1/4W 12K	R431, 432	ERDS2TJ102	1/4W 1K	R613	ERDS2TJ120T	1/4W 12
R119, 120	ERDS2TJ224T	1/4W 220K	R433	ERDS2TJ105T	1/4W 1M	R614	ERDS2TJ150T	1/4W 15
R121, 122	ERDS2TJ102	1/4W 1K	R434	ERDS2TJ334	1/4W 330K	R615, 616	ERDS2TJ151	1/4W 150
R123, 124	ERDS2TJ471	1/4W 470	R435, 436	ERDS2TJ102	1/4W 1K	R617-620	ERDS2TJ104	1/4W 100K
R201, 202	ERDS2TJ472	1/4W 4.7K	R437	ERDS2TJ105T	1/4W 1M	R621, 622	ERDS2TJ103	1/4W 10K
R203-206	ERDS2TJ102	1/4W 1K	R438	ERDS2TJ334	1/4W 330K	R623	ERDS2TJ222	1/4W 2.2K
R207-210	ERDS2TJ822	1/4W 8.2K	R439, 440	ERDS2TJ152	1/4W 1.5K	R624	ERDS2TJ332	1/4W 3.3K
R213, 214	ERDS2TJ822	1/4W 8.2K	R441, 442	ERDS2TJ222	1/4W 2.2K	R625	ERDS2TJ103	1/4W 10K
R215-218	ERDS2TJ102	1/4W 1K	R443, 444	ERDS2TJ102	1/4W 1K	R626	ERDS2TJ332	1/4W 3.3K
R232, 233	ERDS2TJ272T	1/4W 2.7K	R445	ERDS2TJ222	1/4W 2.2K	R627	ERDS2TJ222	1/4W 2.2K
R249	ERDS2TJ103	1/4W 10K	R446	ERDS2TJ104	1/4W 100K	R628	ERDS2TJ332	1/4W 3.3K
R250	ERDS2TJ223	1/4W 22K	R447	ERDS2TJ334	1/4W 330K	R629	ERDS2TJ103	1/4W 10K
R251, 252	ERDS2TJ473	1/4W 47K	R448	ERDS2TJ105T	1/4W 1M	R630	ERDS2TJ102	1/4W 1K
R253, 254	ERDS2TJ183T	1/4W 18K	R449	ERDS2TJ332	1/4W 3.3K	R631	ERDS2TJ103	1/4W 10K
R255, 256	ERDS2TJ153	1/4W 15K	R450	ERDS2TJ103	1/4W 10K	R632	ERDS2TJ222	1/4W 2.2K
R257, 258	ERDS2TJ473	1/4W 47K	R471-474	ERDS2TJ334	1/4W 330K	R633	ERDS2TJ103	1/4W 10K
R271, 272	ERDS2TJ152	1/4W 1.5K	R477, 478	ERDS2TJ102	1/4W 1K	R634	ERDS2TJ822	1/4W 8.2K
R297, 298	ERDS2TJ182	1/4W 1.8K	R500	ERDS2TJ100	1/4W 10	R635	ERDS2TJ393	1/4W 39K
R301-304	ERDS2TJ223	1/4W 22K	R501	ERDS2TJ104	1/4W 100K	R636	ERDS2TJ332	1/4W 3.3K
R305, 306	ERDS2TJ224T	1/4W 220K	R502	ERDS2TJ105T	1/4W 1M	R637	ERDS2TJ103	1/4W 10K
R307, 308	ERDS2TJ332	1/4W 3.3K	R507, 508	ERDS2TJ222	1/4W 2.2K	R638	ERDS2TJ104	1/4W 100K
R309, 310	ERDS2TJ223	1/4W 22K	R509, 510	ERDS2TJ563	1/4W 56K	R639	ERDS2TJ105T	1/4W 1M
R311, 312	ERDS2TJ393	1/4W 39K	R511, 512	ERDS2TJ182	1/4W 1.8K	R640	ERDS2TJ102	1/4W 1K
R313-315	ERDS2TJ223	1/4W 22K	R513, 514	ERDS2TJ563	1/4W 56K	R641	ERDS2TJ223	1/4W 22K
R316	ERDS2TJ622T	1/4W 6.2K	R515, 516	ERDS2TJ223	1/4W 22K	R642	ERDS2TJ103	1/4W 10K
R317	ERDS2TJ562	1/4W 5.6K	R517	ERDS2TJ563	1/4W 56K	R643	ERDS2TJ105T	1/4W 1M
R318	ERDS2TJ123	1/4W 12K	R518	ERDS2TJ684	1/4W 680K	R646	ERDS2TJ223	1/4W 22K
R319	ERDS2TJ224T	1/4W 220K	R519	ERDS2TJ154	1/4W 150K	R653-655	ERDS2TJ331	1/4W 330
R321, 322	ERDS2TJ332	1/4W 3.3K	R520	ERDS2TJ153	1/4W 15K	R659	ERDS2TJ272T	1/4W 2.7K
R324	ERDS2TJ332	1/4W 3.3K	R521	ERDS2TJ103	1/4W 10K	R661	ERDS2TJ331	1/4W 330
R325, 326	ERDS2TJ392T	1/4W 3.9K	R522	ERDS1FVJ680T	1/2W 68 Δ	R662	ERDS2TJ101	1/4W 100
R327, 328	ERDS2TJ104	1/4W 100K	R524	ERDS2TJ105T	1/4W 1M	R697-699	ERDS2TJ101	1/4W 100
R329	ERDS2TJ332	1/4W 3.3K	R525, 526	ERD25FVJ100T	1/4W 10 Δ	R701, 702	ERDS1FVJ332T	1/2W 3.3K Δ
R331	ERDS2TJ105T	1/4W 1M	R527, 528	ERDS1FVJ100T	1/2W 10 Δ	R703	ERD25FJ101	1/4W 100 Δ
R332	ERDS2TJ334	1/4W 330K	R531, 532	ERG2SJ331P	2W 330	R704	ERDS2TJ473	1/4W 47K
R401, 402	ERDS2TJ823T	1/4W 82K	R533, 534	ERDS2TJ562	1/4W 5.6K	R705	ERDS2TJ103	1/4W 10K
R403, 404	ERDS2TJ683	1/4W 68K	R535-538	ERDS2TJ472	1/4W 4.7K	R706	ERDS1FVJ2R2T	1/2W 2.2 Δ
R405, 406	ERDS2TJ393	1/4W 39K	R539	ERDS2TJ102	1/4W 1K	R707	ERDS1FVJ3R3T	1/2W 3.3 Δ
R407, 408	ERDS2TJ333	1/4W 33K	R540	ERDS2TJ334	1/4W 330K	R709	ERDS2TJ332	1/4W 3.3K
R409, 410	ERDS2TJ103	1/4W 10K	R542	ERDS2TJ103	1/4W 10K	R710	ERDS1FVJ331T	1/2W 330 Δ
R411, 412	ERDS2TJ332	1/4W 3.3K	R543	ERDS1FVJ560T	1/2W 56 Δ	R711	ERDS2TJ102	1/4W 1K

Ref. No.	Part No.	Values & Remarks	Ref. No.	Part No.	Values & Remarks	Ref. No.	Part No.	Values & Remarks
R713	ERDS2TJ2R2T	1/4W 2. 2	C221-226	ECBT1H101KB5	50V 100P	C537, 538	ECBT1H102KB5	50V 1000P
R718	ERDS1FVJ820T	1/2W 82 $\Delta$	C229, 230	ECBT1H101KB5	50V 100P	C543, 544	ECBT1H102KB5	50V 1000P
R727	ERDS2TJ104	1/4W 100K	C231, 232	ECBT1E103ZF	25V 0.01U	C597, 598	ECBT1H102KB5	50V 1000P
R1301, 1302	ERDS2TJ102	1/4W 1K	C250	ECEA1CKA220B	16V 22U	C601	ECBT1E103ZF	25V 0.01U
R1303, 1304	ERDS2TJ822	1/4W 8. 2K	C251, 252	ECEA1HKA3R3B	50V 3. 3U	C602	ECEA0JU102	6. 3V 1000U
R1305, 1306	ERDS2TJ223	1/4W 22K	C253, 254	ECEA1HKA47B	50V 0.47U	C603	ECEA1HKA3R3B	50V 3. 3U
R1307, 1308	ERDS2TJ392T	1/4W 3. 9K	C255, 256	ECBT1H180J5	50V 18P	C604	ECEA1VKA100B	35V 10U
R1309, 1310	ERDS2TJ182	1/4W 1. 8K	C258	ECBT1E223ZF	25V 0.022U	C605	ECBT1E103ZF	25V 0.01U
R1311, 1312	ERDS2TJ821	1/4W 820	C271, 272	ECBT1H101KB5	50V 100P	C606, 607	ECEA1HKA010B	50V 1U
R1313, 1314	ERDS2TJ333	1/4W 33K	C273, 274	ECEA1CKA220B	16V 22U	C608	ECBT1H101KB5	50V 100P
R1501, 1502	ERDS2TJ123	1/4W 12K	C297, 298	ECBT1H151KB5	50V 150P	C651	ECBT1H104ZF5	50V 0.1U
R1503, 1504	ERDS2TJ103	1/4W 10K	C301, 302	ECA1HAP3R3B	50V 3. 3U	C653	ECBT1H470J5	50V 47P
R1505, 1506	ERDS2TJ101	1/4W 100	C303	ECBT1H680J5	50V 68P	C700	ECKWNS103ZV	500V 0.01U $\Delta$
R1507, 1508	RREEMKR10VC	2W 0.1	C304	ECQV1H823JZ	50V 0.082U	C701	ECBT1H102KB5	50V 1000P
R1509-1512	ERDS2TJ103	1/4W 10K	C305	ECEA1HKA3R3B	50V 3. 3U	C702	ECKR1H103ZF5	50V 0.01U
R1513-1516	ERDS2TJ104	1/4W 100K	C306	ECBT1H221KB5	50V 220P	C703, 704	ECEA1EKA100B	25V 10U
R1517, 1518	ERDS2TJ472	1/4W 4. 7K	C307	ECEA1HKA3R3B	50V 3. 3U	C705, 706	ECEA1CKA100B	16V 10U
R1519, 1520	ERDS2TJ272T	1/4W 2. 7K	C309, 310	ECBT1H820KB5	50V 82P	C707	ECBT1E103ZF	25V 0.01U
R1521-1526	ERDS2TJ563	1/4W 56K	C311, 312	ECA1HAP3R3B	50V 3. 3U	C708	ECEA1CKA100B	16V 10U
R1527, 1528	ERDS2TJ103	1/4W 10K	C313, 314	ECBT1E103ZF	25V 0.01U	C709	ECEA1HKA2R2B	50V 2. 2U
R1529, 1530	ERDS2TJ392T	1/4W 3. 9K	C395, 396	ECBT1H120J5	50V 12P	C710	ECBT1E223ZF	25V 0.022U
R1531, 1532	ERDS2TJ223	1/4W 22K	C398, 399	ECBT1E103ZF	25V 0.01U	C711, 712	ECEA1HU332UB	50V 3300U
R1533, 1534	ERDS2TJ472	1/4W 4. 7K	C411, 412	ECFR1E123KR	25V 0.012U	C713	ECQE1104KF3	100V 0.1U
R1535, 1536	ERDS2TJ223	1/4W 22K	C413, 414	ECEA1HKA2R2B	50V 0.22U	C715	ECEA1VKA100B	35V 10U
R1537, 1538	ERDS2TJ103	1/4W 10K	C415, 416	ECFR1E682KR	25V 6800P	C731	ECFR1E104ZF5	25V 0.1U
R1539	ERDS2TJ333	1/4W 33K	C417, 418	ECFR1E272KR	25V 2700P	C1301, 1302	ECFR1E123KR	25V 0.012U
R1540	ERDS2TJ102	1/4W 1K	C419, 420	ECFR1E333KR	25V 0.033U	C1303, 1304	ECFR1E683KR	25V 0.068U
R1541, 1542	ERDS2TJ752T	1/4W 7. 5K	C421, 422	ECEA1HKA3R3B	50V 3. 3U	C1305, 1306	ECFR1E472KR	25V 4700P
R1551, 1552	ERDS2TJ223	1/4W 22K	C423, 424	ECA1HAP100B	50V 10U	C1307, 1308	ECFR1E223KR	25V 0.022U
R1553, 1554	ERDS2TJ103	1/4W 10K	C427	ECEA0JKA470B	6. 3V 47U	C1309, 1310	ECA1HAP010B	50V 1U
R1555, 1556	ERDS2TJ562	1/4W 5. 6K	C432	ECEA1CKA100B	16V 10U	C1501-1504	ECEA1HKA2R2B	50V 2. 2U
R1557, 1558	ERDS2TJ103	1/4W 10K	C433, 434	ECBT1E103ZF	25V 0.01U	C1505, 1506	ECFR1E223KR	25V 0.022U
R1559, 1560	ERDS2TJ273	1/4W 27K	C451, 452	ECEA1CKA220B	16V 22U	C1507, 1508	ECBT1H820KB5	50V 82P
R1561-1564	ERDS2TJ102	1/4W 1K	C471, 472	ECA1HAP3R3B	50V 3. 3U	C1509-1512	ECFR1E104KR	25V 0.1U
R1565, 1566	ERDS2TJ123	1/4W 12K	C473, 474	ECBT1H101KB5	50V 100P	C1513, 1514	ECBT1H331KB5	50V 330P
R1567, 1568	ERDS2TJ683	1/4W 68K	C475, 476	ECBT1H821KB5	50V 820P	C1515, 1516	ECBT1C103MS5	16V 0.01U
			C477, 478	ECBT1H680J5	50V 68P	C1517, 1518	ECBT1E103ZF	25V 0.01U
			C479, 480	ECEA1HKA3R3B	50V 3. 3U	C1521A	ECA1HAP2R2B	50V 2. 2U
			C483, 484	ECBT1E103ZF	25V 0.01U	C1521	ECBT1H102KB5	50V 1000P
		CAPACITORS	C501, 502	ECBT1H331KB5	50V 330P	C1522A	ECA1HAP2R2B	50V 2. 2U
C107, 108	ECBT1H101KB5	50V 100P	C503, 504	ECBT1H151KB5	50V 150P	C1522	ECBT1H102KB5	50V 1000P
C109, 110	ECBT1H102KB5	50V 1000P	C505, 506	ECA1HAP2R2B	50V 2. 2U	C1551, 1552	ECA1HAP3R3B	50V 3. 3U
C111, 112	ECA1EAP330B	25V 33P	C507, 508	ECBT1H6R8K5	50V 6. 8P	C1553, 1554	ECBT1H151KB5	50V 150P
C115, 116	ECFR1E223KR	25V 0.022U	C509, 510	ECKT1H223ZF	50V 0.022U	C1555, 1556	ECEA1HKA2R2B	50V 2. 2U
C117, 118	ECFR1E682KR	25V 6800P	C513	ECEA1CKA100B	16V 10U	C1557, 1558	ECQV1H124JZ3	50V 0.12U
C119, 120	ECA1HAP010B	50V 1U	C514	ECEA0JKA470B	6. 3V 47U	C1559, 1560	ECBT1E103ZF	25V 0.01U
C121, 122	ECBT1E103ZF	25V 0.01U	C516-518	ECBT1E103ZF	25V 0.01U			
C200	ECBT1E223ZF	25V 0.022U	C519	ECA1HAP330B	50V 33U			
C201	ECBT1H470J5	50V 47P	C520	ECA2AAP100B	100V 10U			
C203, 204	ECBT1E103ZF	25V 0.01U	C523, 524	ECA1HAP3R3B	50V 3. 3U			
C205, 206	ECBT1H180J5	50V 18P	C525, 526	ECBT1H331KB5	50V 330P			
C207, 208	ECBT1H151KB5	50V 150P	C535, 536	ECBT1E223ZF	25V 0.022U			
C209-216	ECBT1H101KB5	50V 100P						

# ■ CABINET PARTS LOCATION

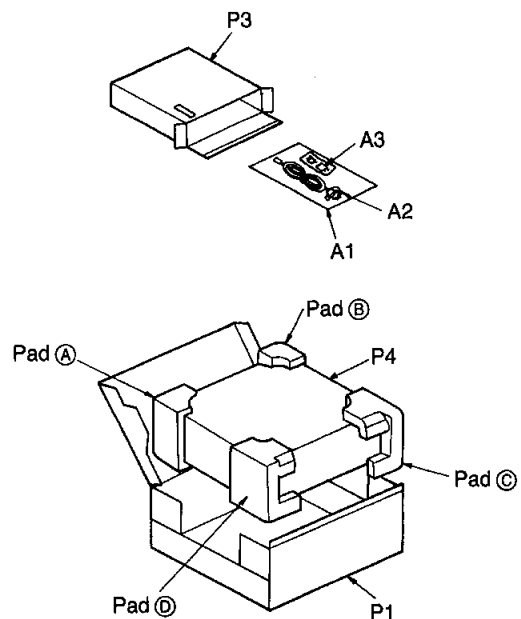




Ref. No.	Part No.	Part Name & Description	Remarks
		CABINET PARTS	
1	RHD30007	SCREW	
2	RKM0024A-2K	CABINET	
3	SJP9205-2Y	SHORTING PIN	
4	XTBS3+8JFZ1	SCREW	
5	SJS9231A	AC INLET COVER	(E, EB, EG, GC)
5	SJS9234A	AC INLET COVER	(GN)
6	SJS9333A	AC OUTLET COVER	(E, EG)
6	RJS1A4602	AC OUTLET COVER	(GN)
6	SJS9332A	AC OUTLET COVER	(EB)
6	SJS9233A	AC OUTLET COVER	(GC)
7	RGR0105G-A1	REAR PANEL	(E)
7	RGR0105F-A1	REAR PANEL	(EB)
7	RGR0105G-B1	REAR PANEL	(EG)
7	RGR0105H-1	REAR PANEL	(GC)
7	RGR0105J-1	REAR PANEL	(GN)
8	RGU0030	BUTTON, POWER	
9	RGW0072	KNOB, TONE ETC.	
10	RGW0076-1	KNOB, MAIN VOL.	
11	RFKJUX502E-K	CHASSIS ASS'Y	
11-1	RKA0011-2	FOOT	
13	RGK0315A-K	ORNAMENT	
14	RGL0132-C	PANEL LIGHT	
15	RGL0133-C	PANEL LIGHT	
16	RGL0137-C	PANEL LIGHT	
17	RGU0470B-K	BUTTON, SELECT	
18	RGU0471-K1	BUTTON, VOL. PRESET	
19	RGU0591A-K	BUTTON, SUPER BASS	
20	RFKJUX302E	FRONT PANEL ASS'Y	
21	SHE187-2	HOLDER	
22	SNE2123	SCREW	
23	SNE4021-1	NUT	
24	SUS894-1	ANGLE	
25	SYE1128-2	FAN ASS'Y	
25-1	SHE232	FAN	
25-2	SUS271	SPRING	
25-3	SHE233	FAN CASE	
25-4	MDN-4RB4MRC	MOTOR	
25-5	SHE234	CAP	
26	XTBS26+8J	SCREW	
27	XTB3+16JFZ	SCREW	
28	XTB3+20JFZ	SCREW	
29	XTB3+8JFZ	SCREW	
30	XTWS3+8T	SCREW	
31	XYN2+C6FZ	SCREW	(GC)
33	PMN0102	FL HOLDER	
34	RWJ1805130KQ	FLAT CABLE	
35	RWJ1808110KQ	FLAT CABLE	

Ref. No.	Part No.	Part Name & Description	Remarks
		PACKING MATERIAL	
P1	RPG0839	CARTON BOX	
P2	RPN0412	PAD ASS'Y	
P3	SPSD152	ACCESSORY BOX	
P4	XZB60X65A01Z	PROTECTION COVER	
		ACCESSORIES	
A1	RQF1086	INSTRUCTION MANUAL ASS'Y	(E)
A1	RQF1087	INSTRUCTION MANUAL ASS'Y	(EB)
A1	RQF1088	INSTRUCTION MANUAL ASS'Y	(EG)
A1	RQF1089	INSTRUCTION MANUAL ASS'Y	(GC)
A1	RQF1090	INSTRUCTION MANUAL ASS'Y	(GN)
A1-1	RQA0013	WARRANTY CARD	(E, EB, EG)
A1-2	RQCB0169	CERVICENTER LIST	
A1-3	RFKSUX302E-K	INSTRUCTION MANUAL	(E)
A1-3	RQT0992-B	INSTRUCTION MANUAL	(EB, GN)
A1-3	RQT0993-D	INSTRUCTION MANUAL	(EG)
A1-3	RQT0990-G	INSTRUCTION MANUAL	(GC)
A1-4	SPB1061	POLYETHYLENE COVER	
A2 Δ	SJA187	POWER CORD	(E, EG)
A2 Δ	SJA188	POWER CORD	(EB)
A2 Δ	SJA173	POWER CORD	(GN)
A2 Δ	RJA0004	POWER CORD	(GC)
A3 Δ	SJP9215	AC PLUG ADAPTOR	(GC)

## ■ PACKAGING



Pad A B C D Assembly: RPN0412